



TOYOTA

ALWAYS A
BETTER WAY

Hilux

Scuff plate set

Installation Instructions

Model year: 2005/07, 2008/09, 2010/08, 2011/06

Vehicle code: KUN**-***** Double & Extra cab

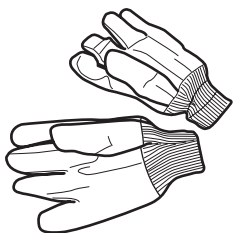
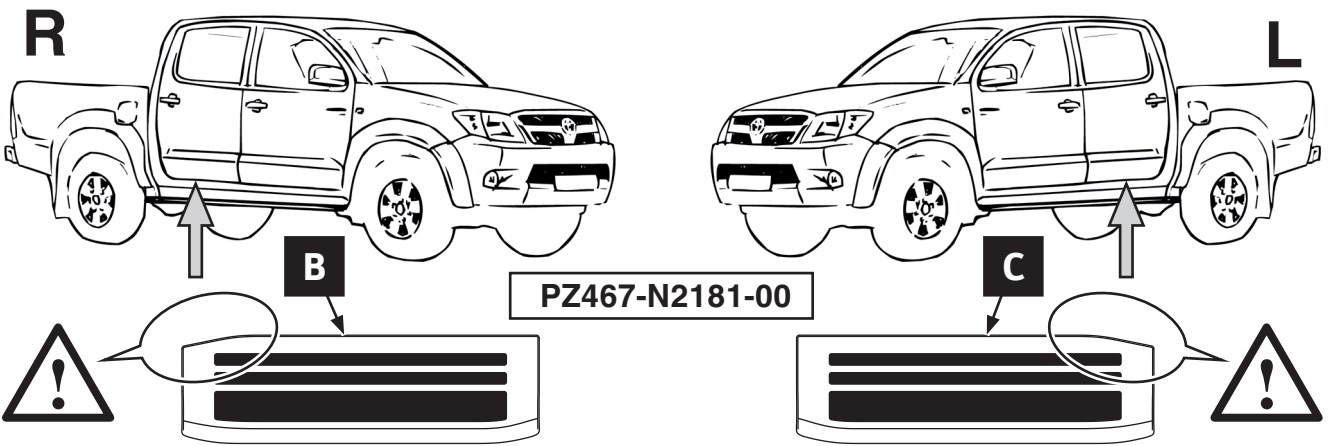
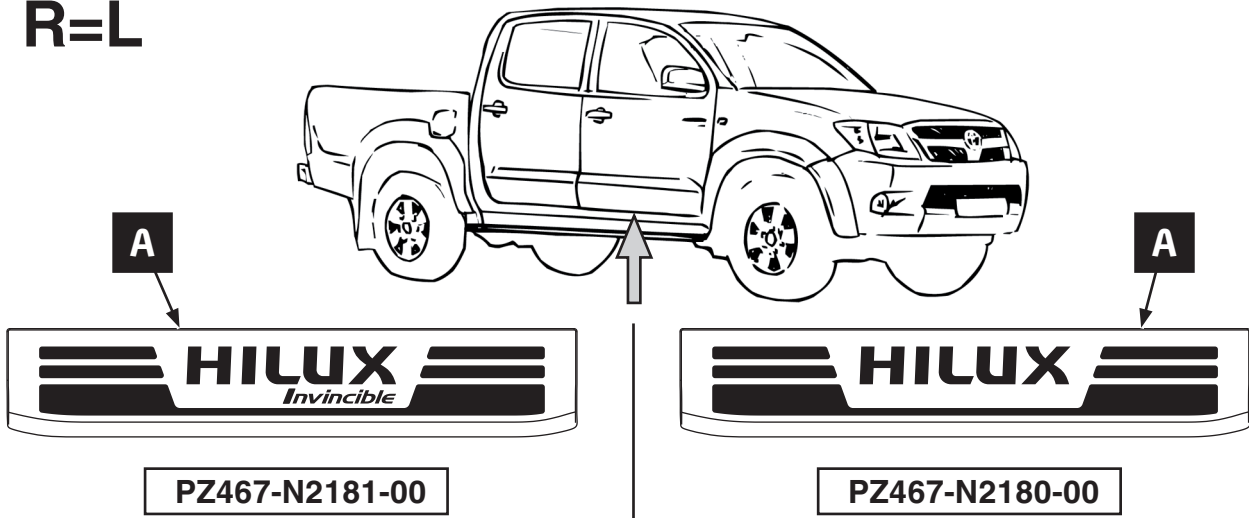
Part number: PZ467-N2181-00 ("Invincible" logo)
PZ467-N2180-00 ("Hilux" logo)

Manual reference number: AIM 001 192-4

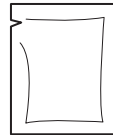
Revision record

Rev. No.	Date	Page	Picture	Update	New	Deleted steps
01	15/06/2011			x		
02	05/10/2011			x		
03	31/01/2012			x		
04	09/08/2013			x		

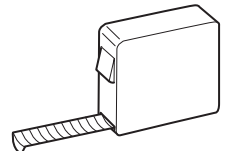
R=L

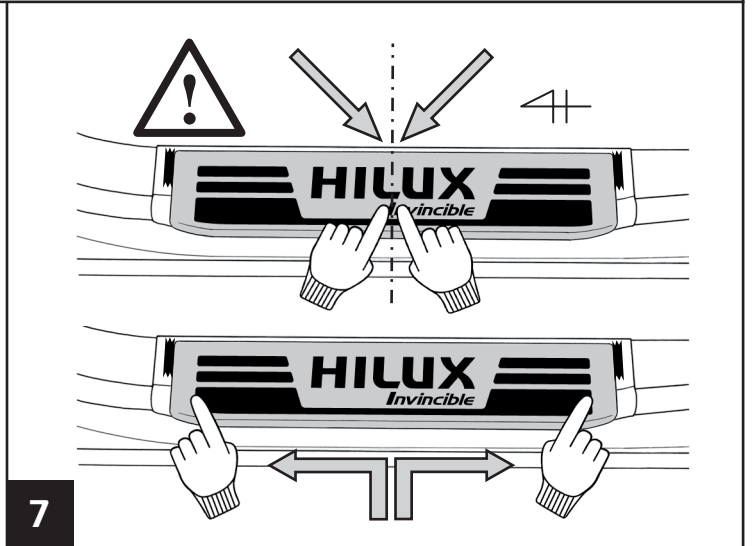
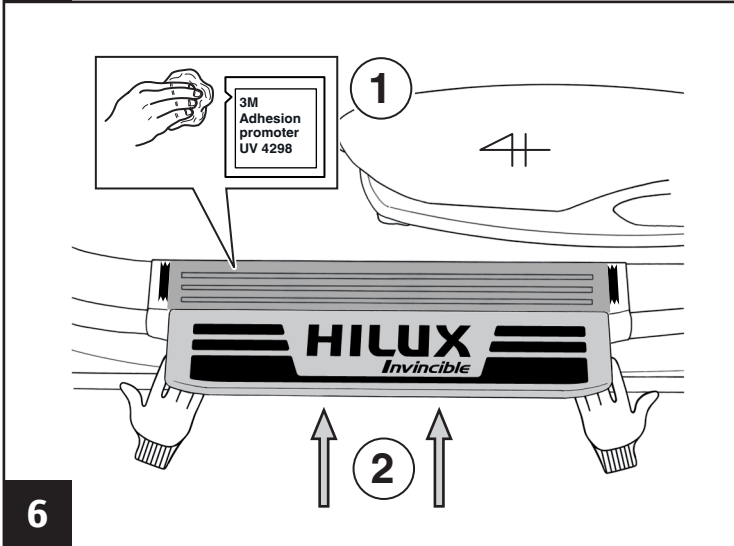
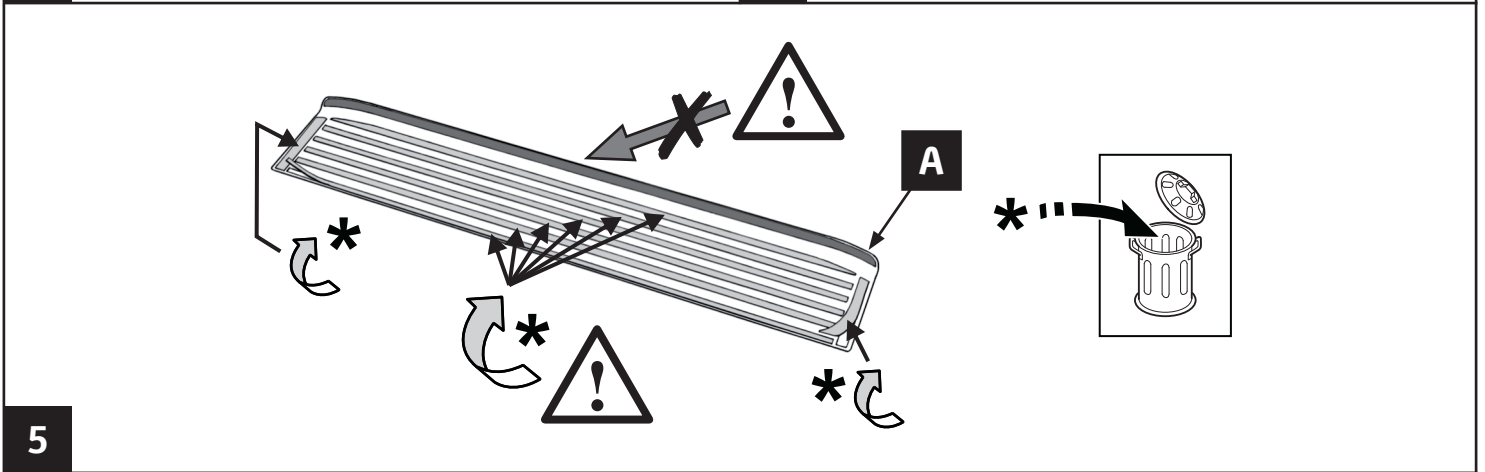
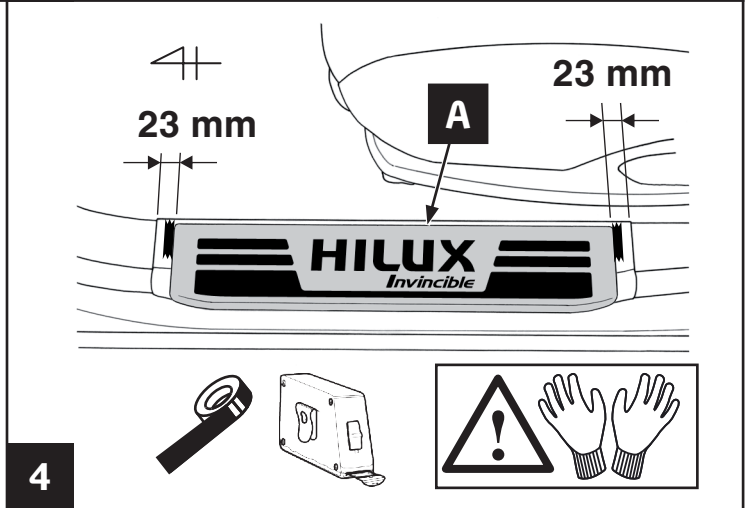
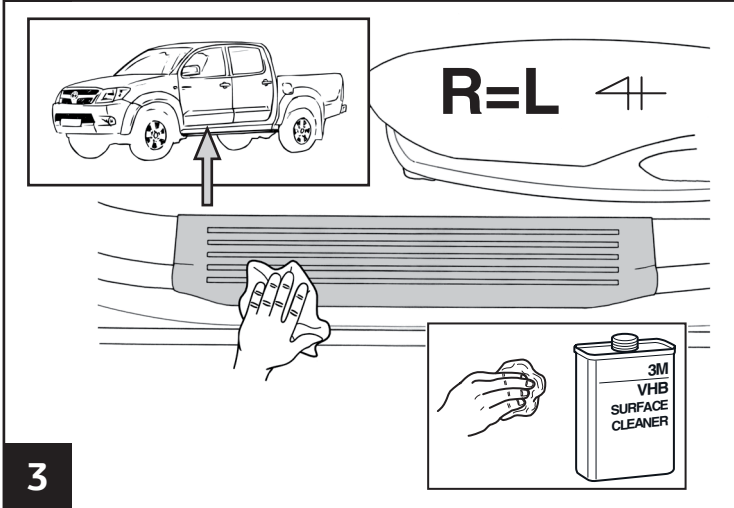
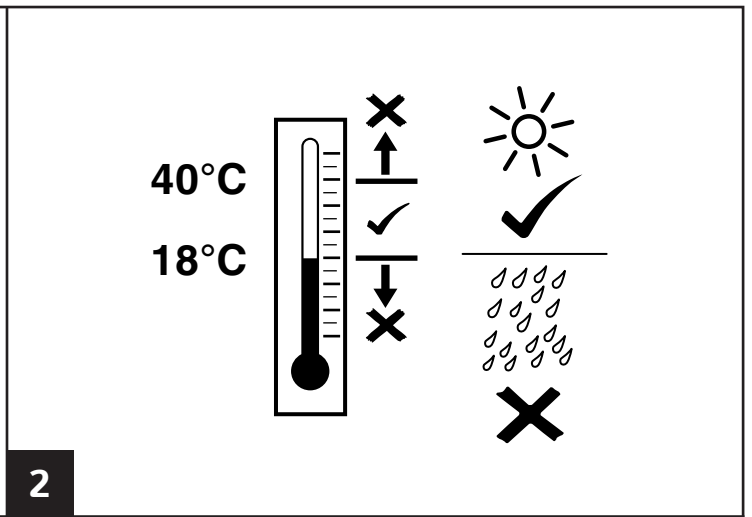
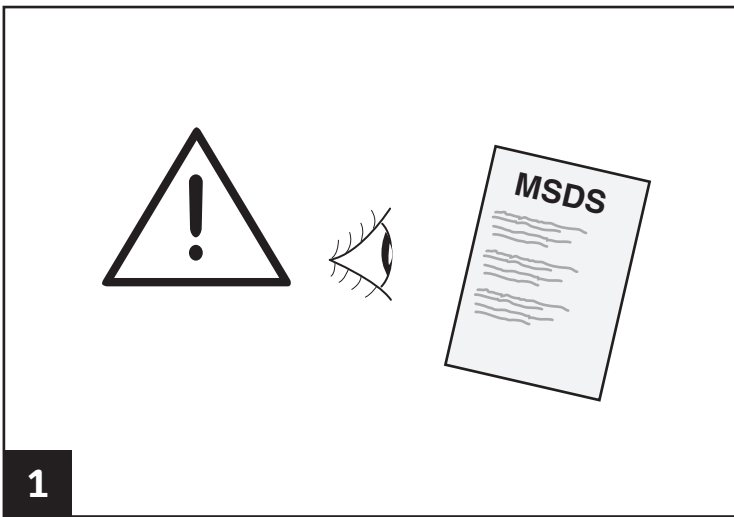


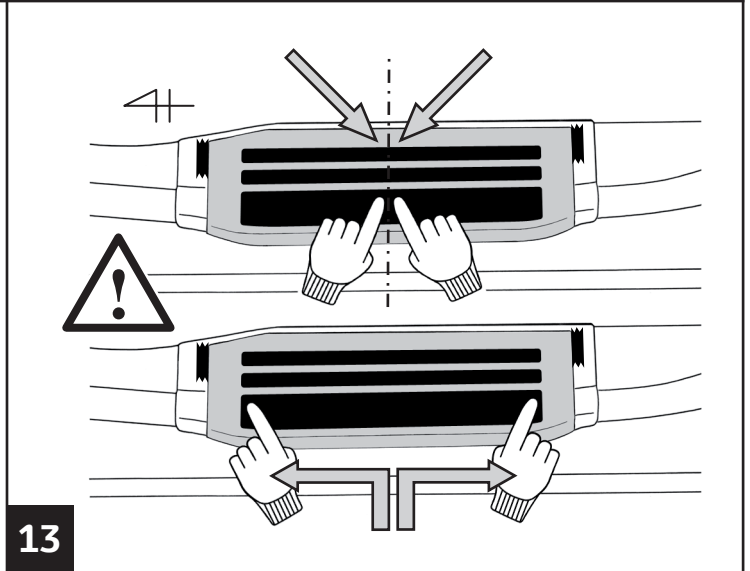
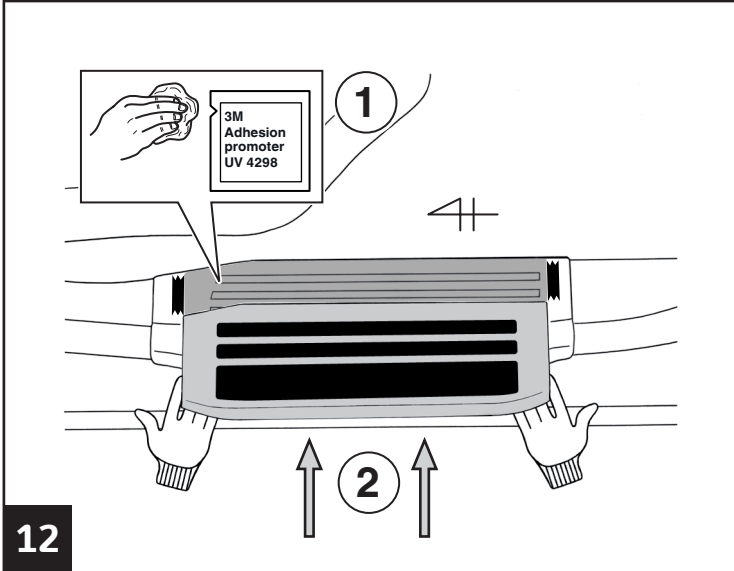
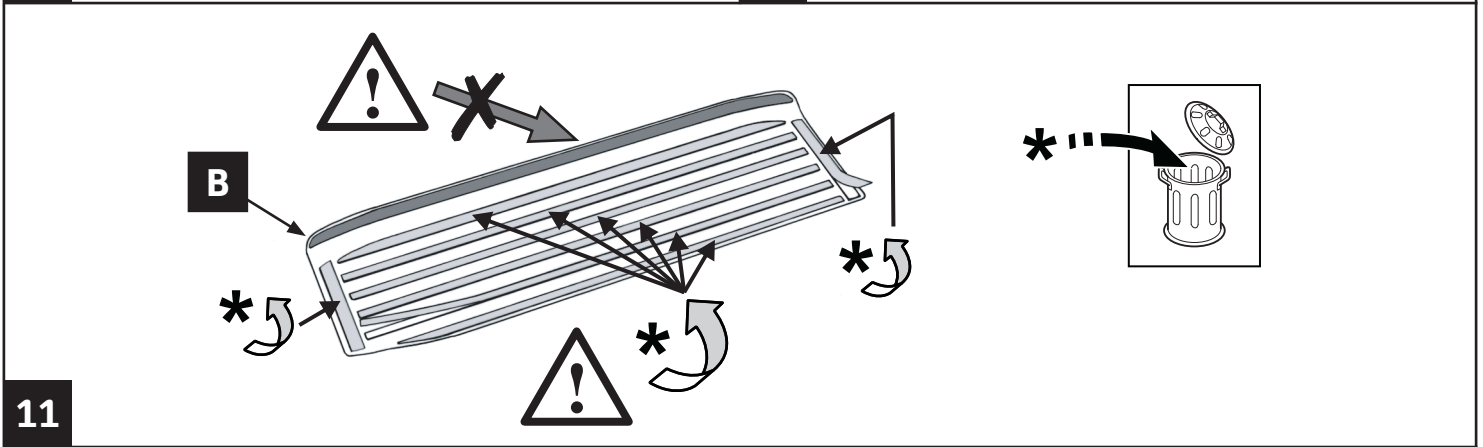
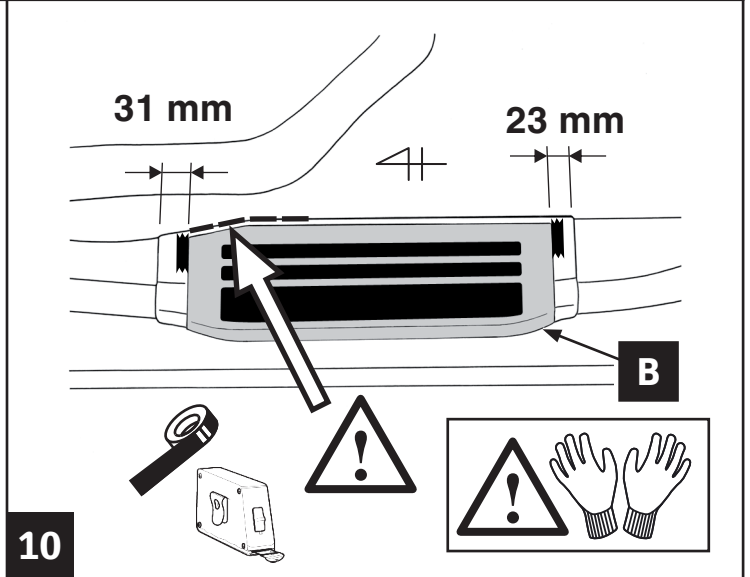
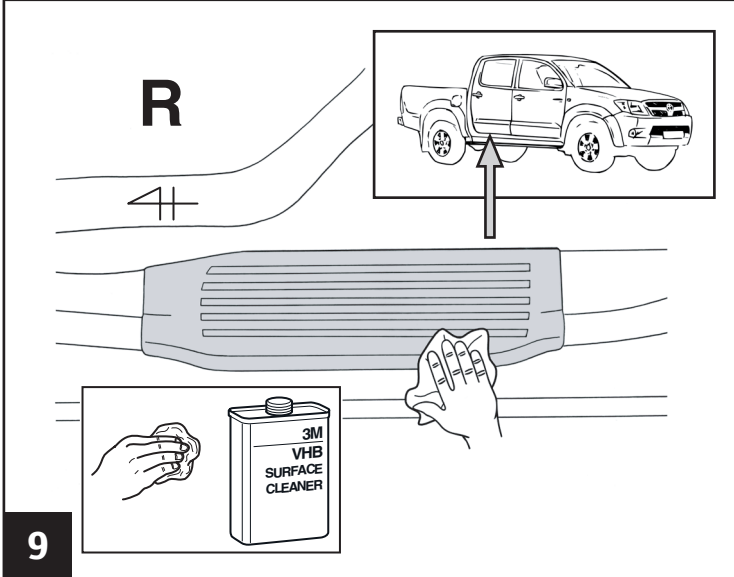
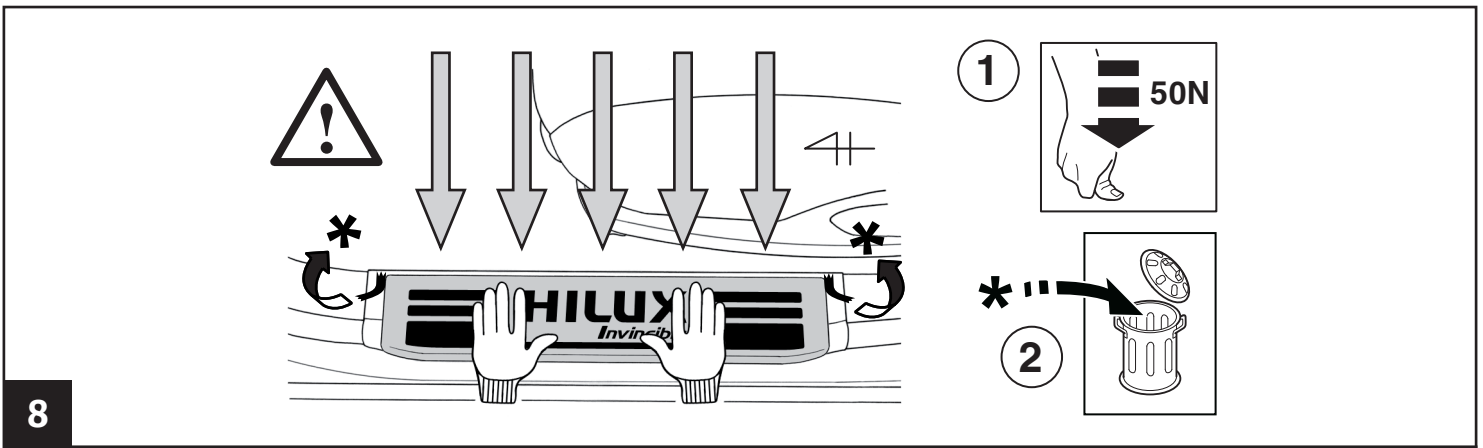
PZ415-00000-00

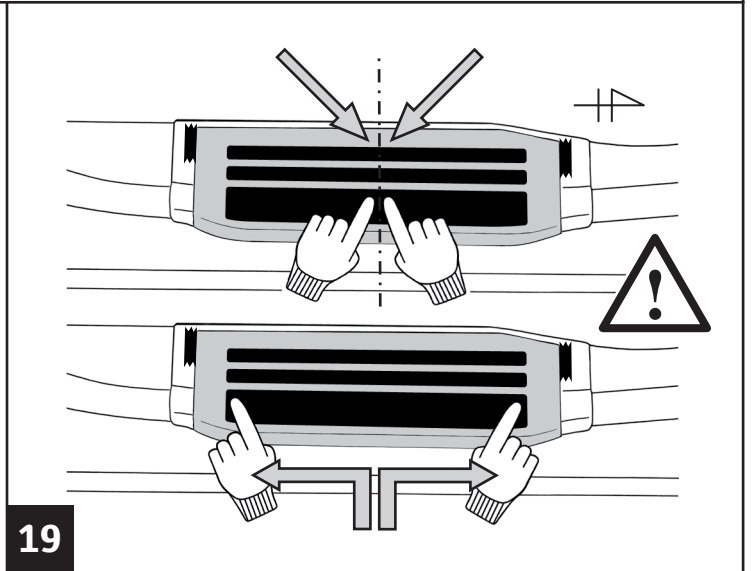
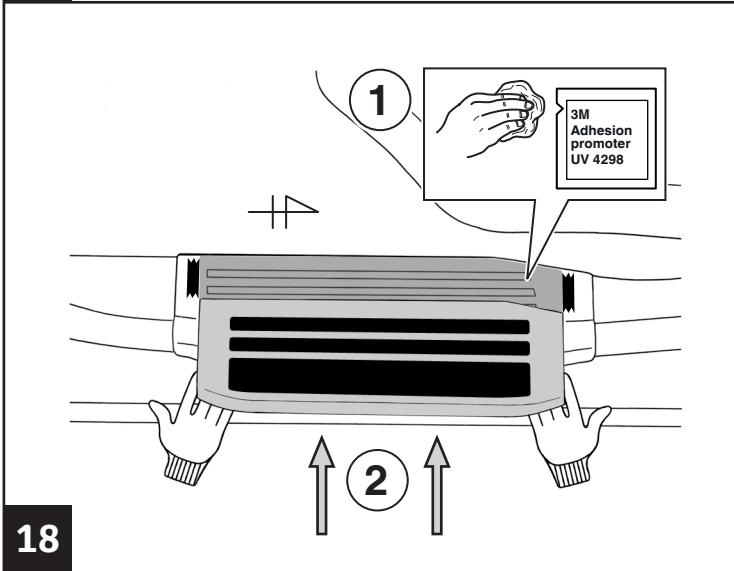
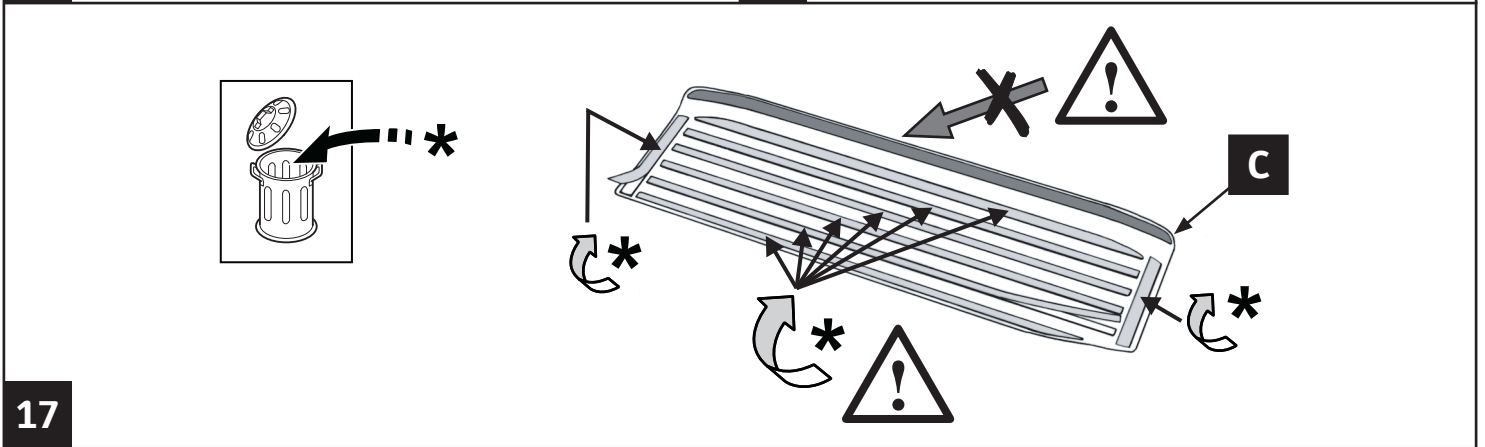
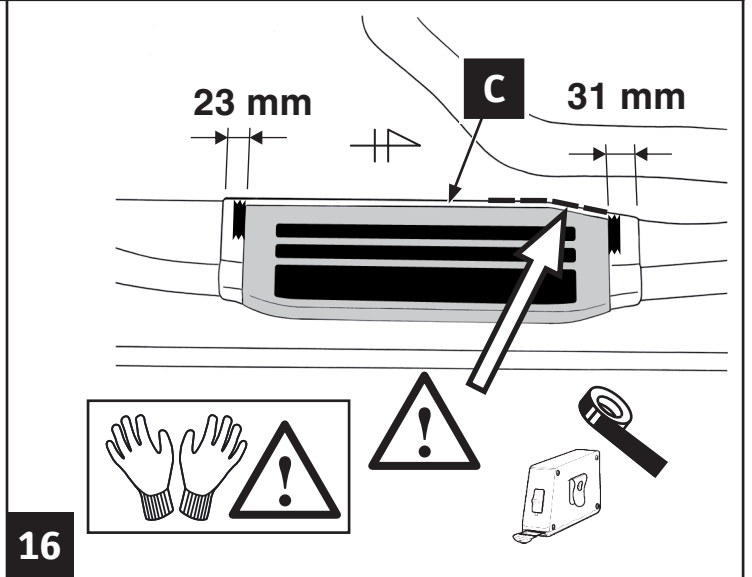
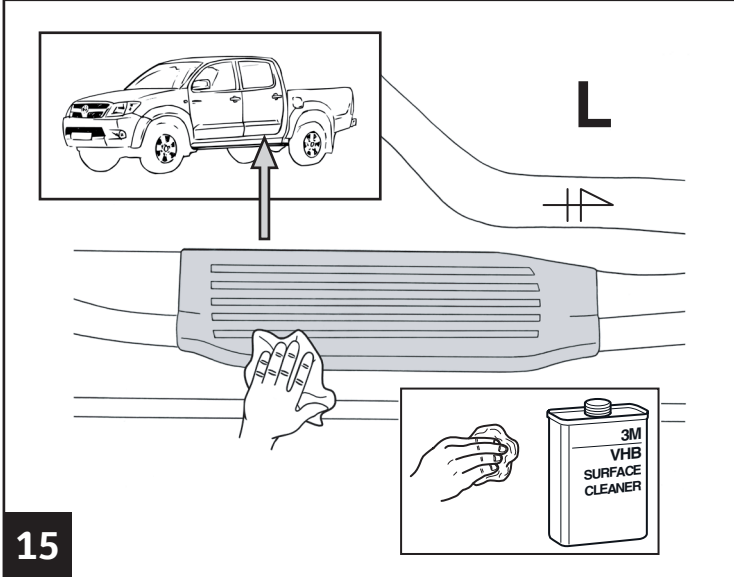
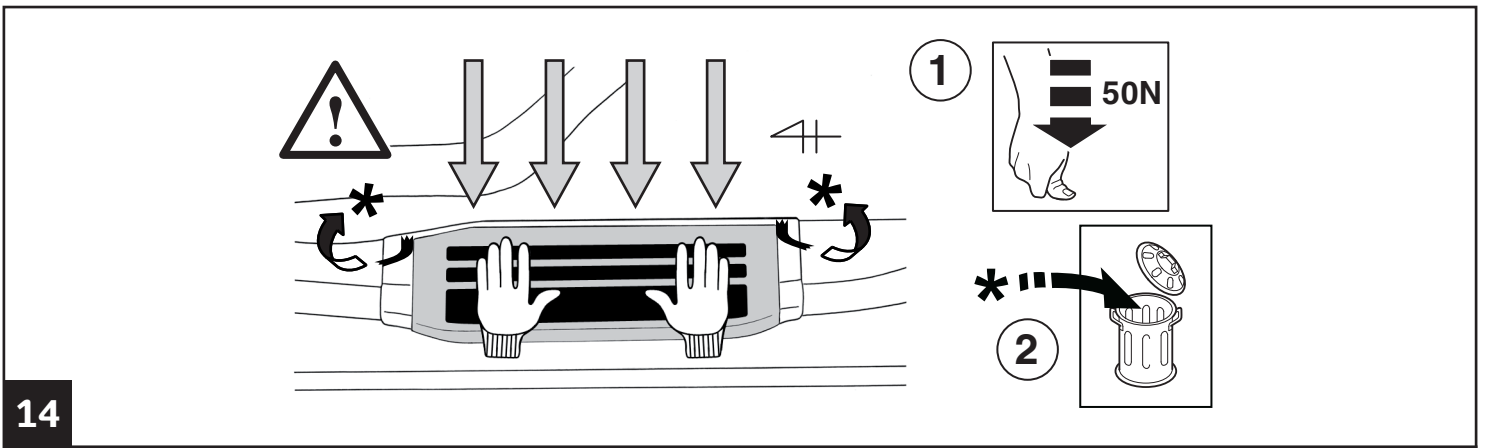


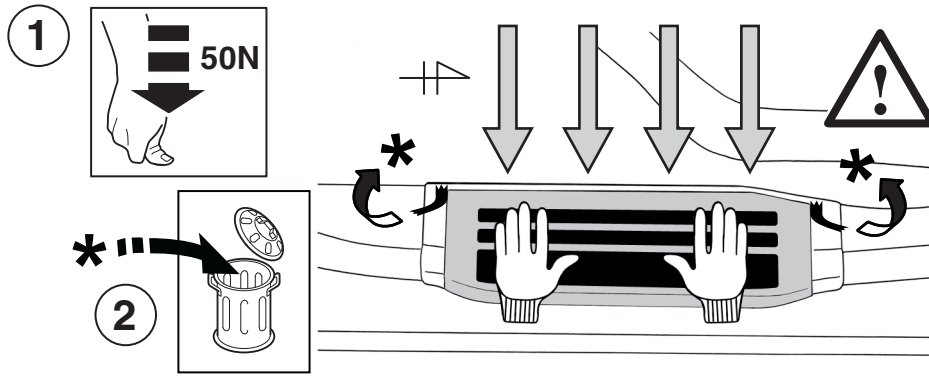
3M adhesion promoter
4298 UV











20

CHECK SHEET



TOYOTA

Model / Year **HILUX** 2005/07, 2008/09
2010/08, 2011/06

Scuff plate set

VIN n°

ALWAYS A
BETTER WAY

P/N = OK

40°C

18°C

= OK

**3M
Adhesion
promoter
UV 4298**

Installation Date:

... / ... / ...

Technician Name & Signature:

Stamp: