



TOYOTA

ALWAYS A
BETTER WAY

Corolla

Side Sills

Installation Instructions

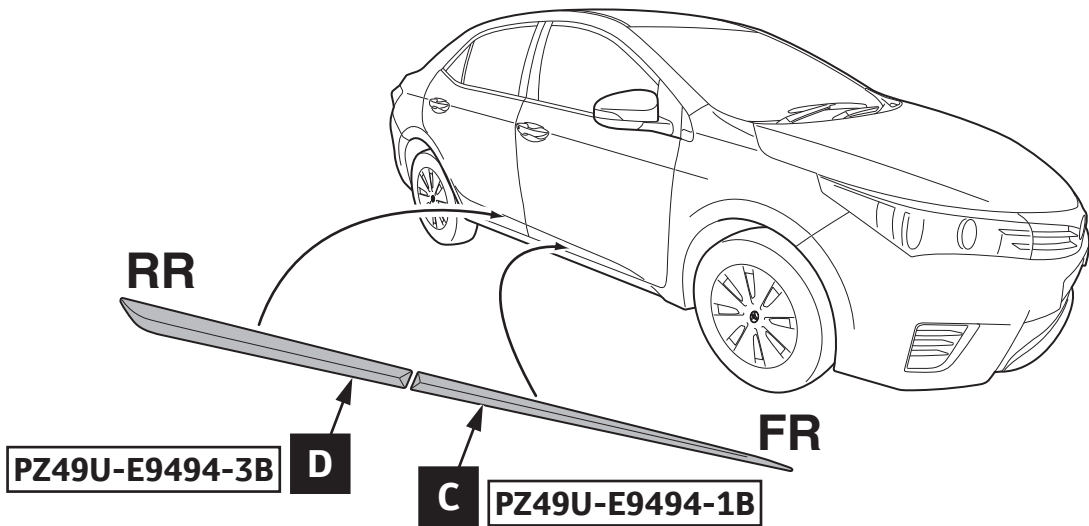
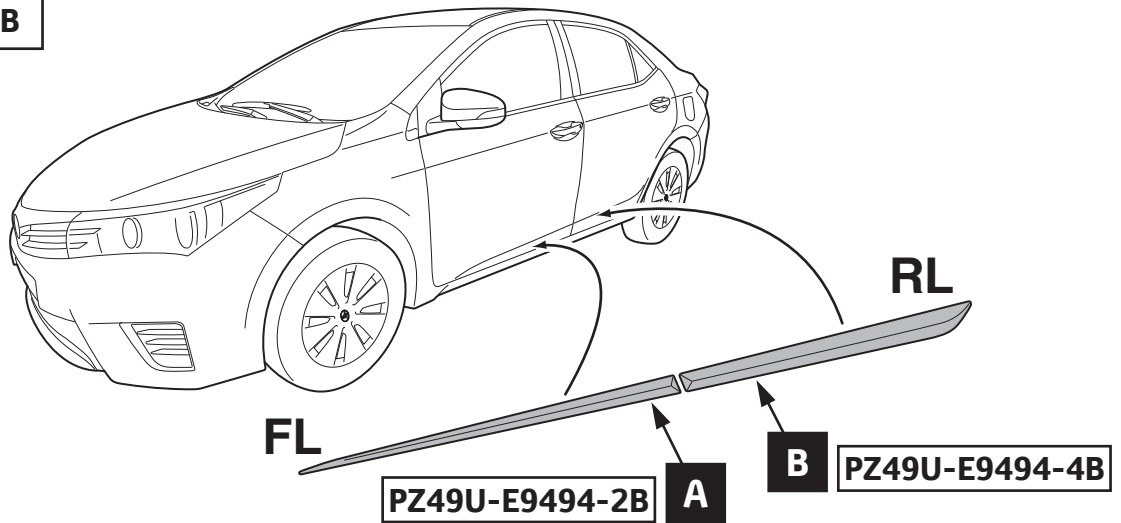
Model year: 2013/06
Vehicle code: **E18**-DE***W
Part number: PZ49U-E9494-ZB

Manual reference number: AIM 002 875-1

Revision record

Rev. No.	Date	Page	Picture	Update	New	Deleted steps
1	24/07/2013	5	11-14	x		templates

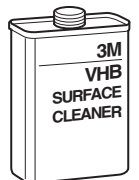
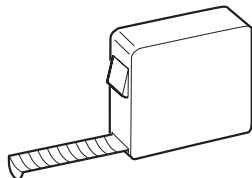
PZ49U-E9494-ZB

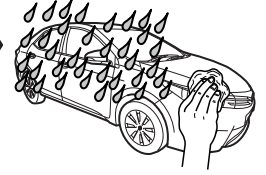
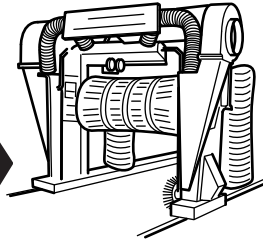


1x



3M 2010





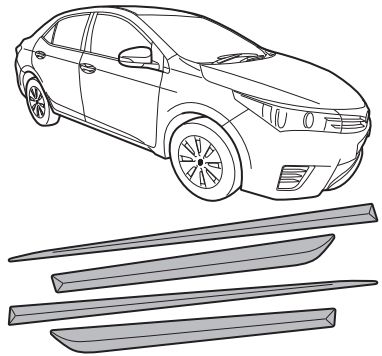
1

40°C

18°C



0-95%



2



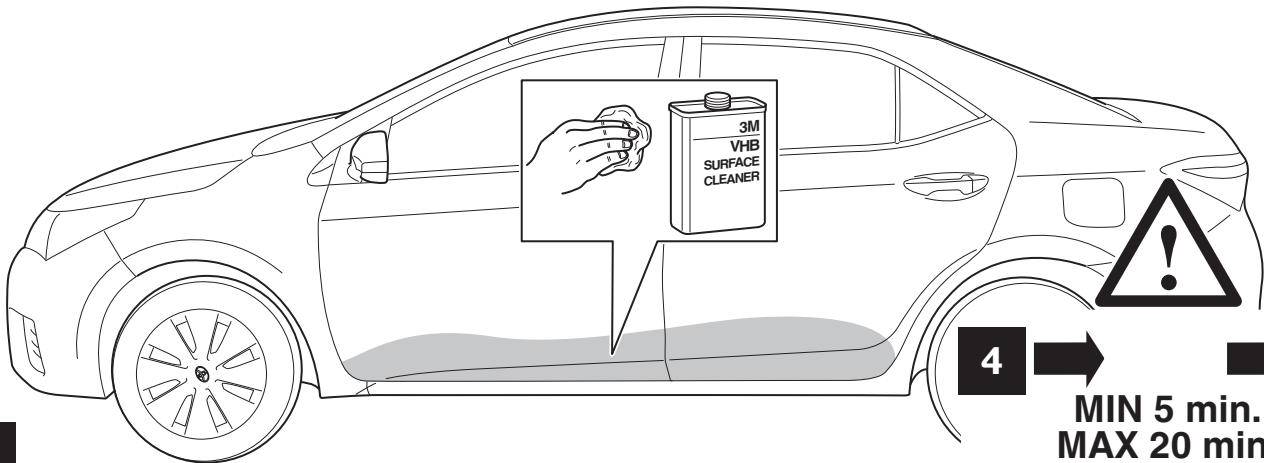
3



4

MAX 20 min.

3

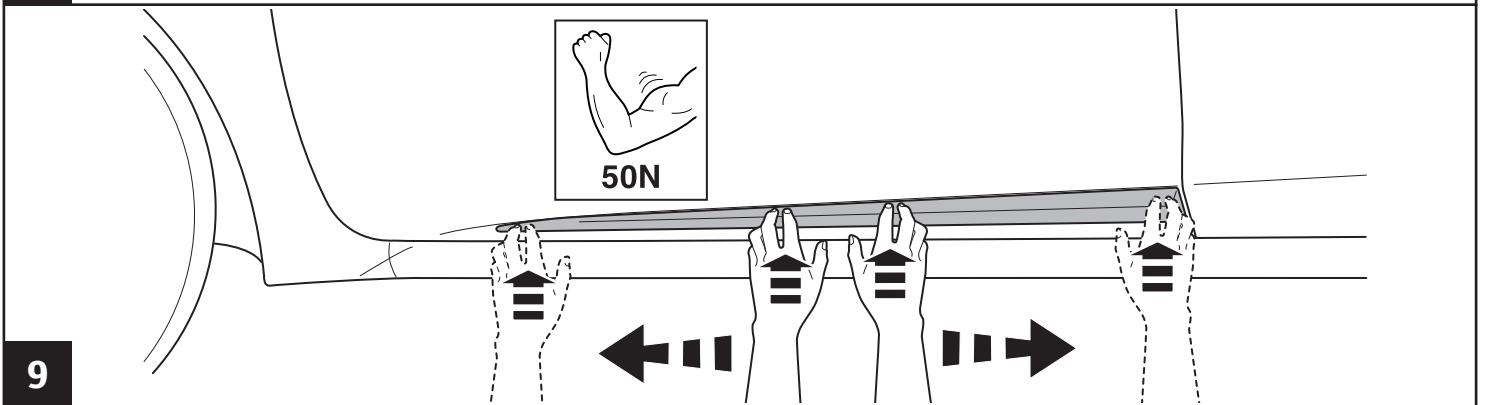
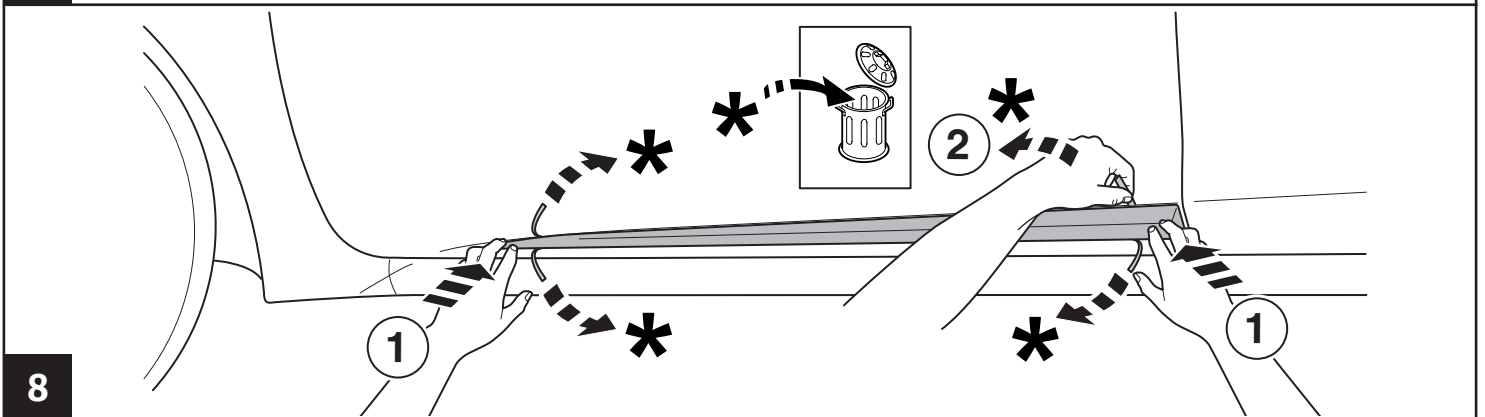
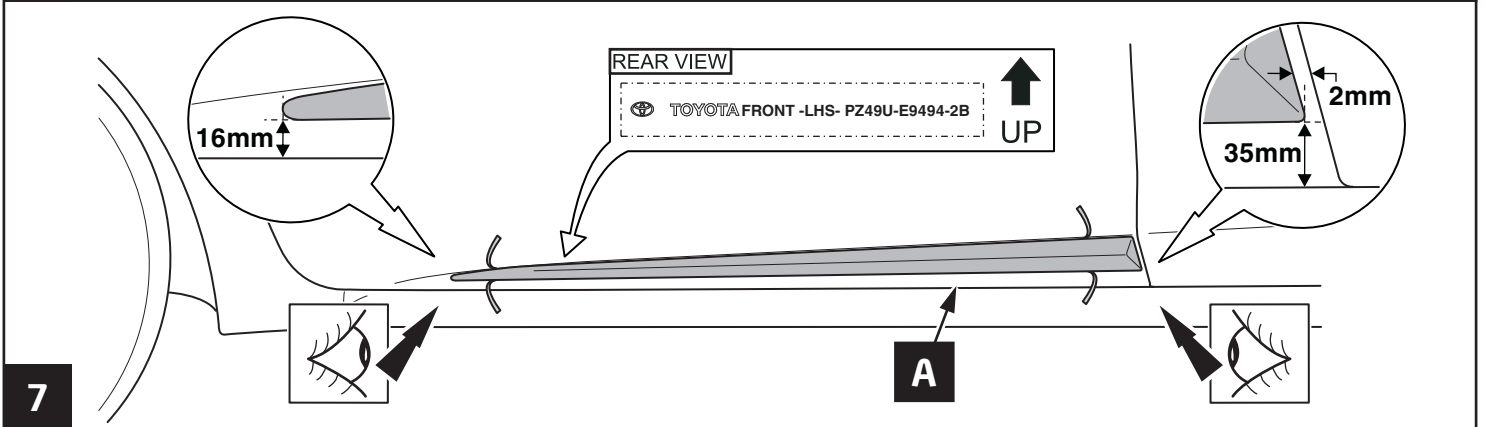
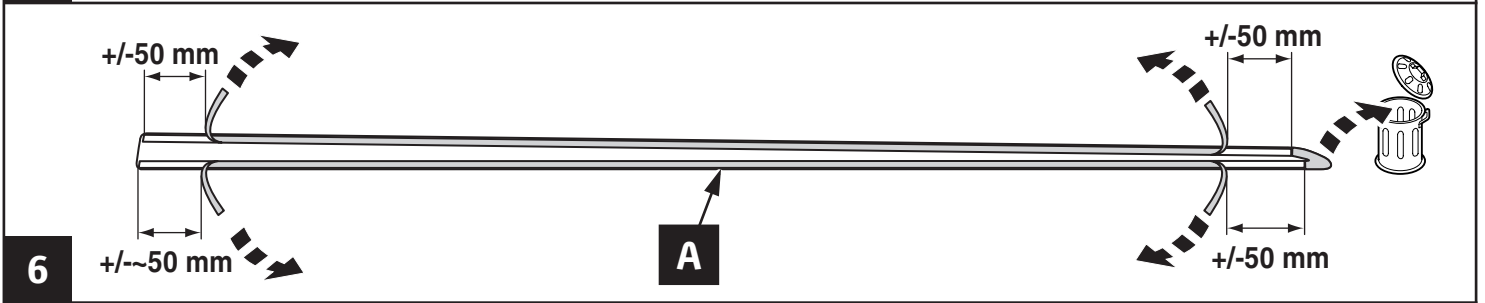
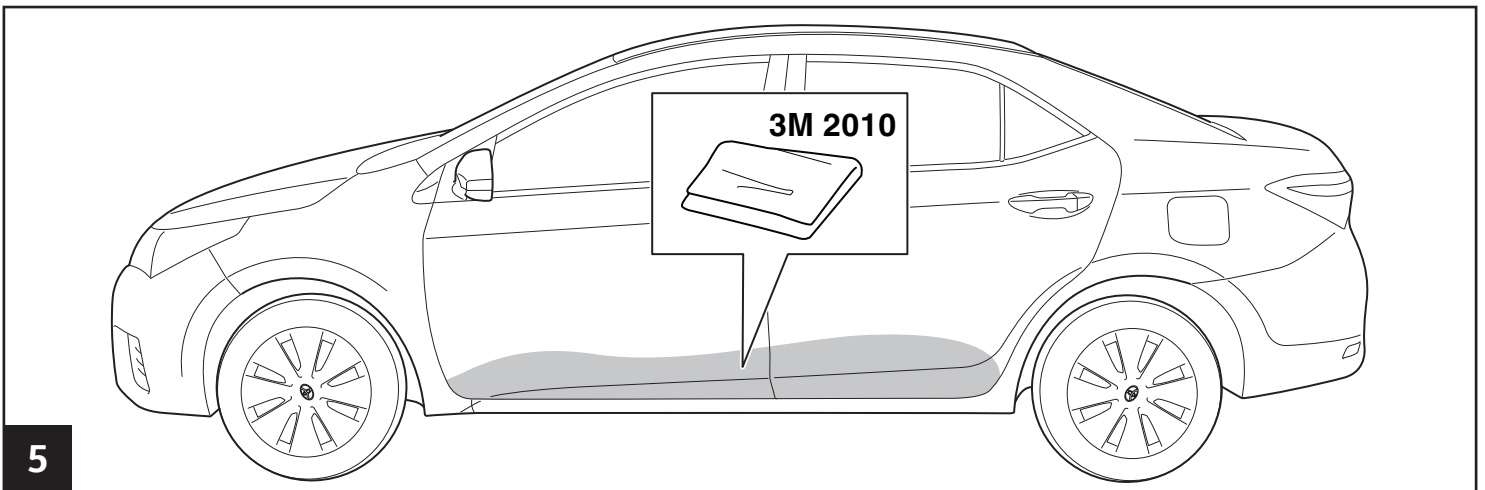


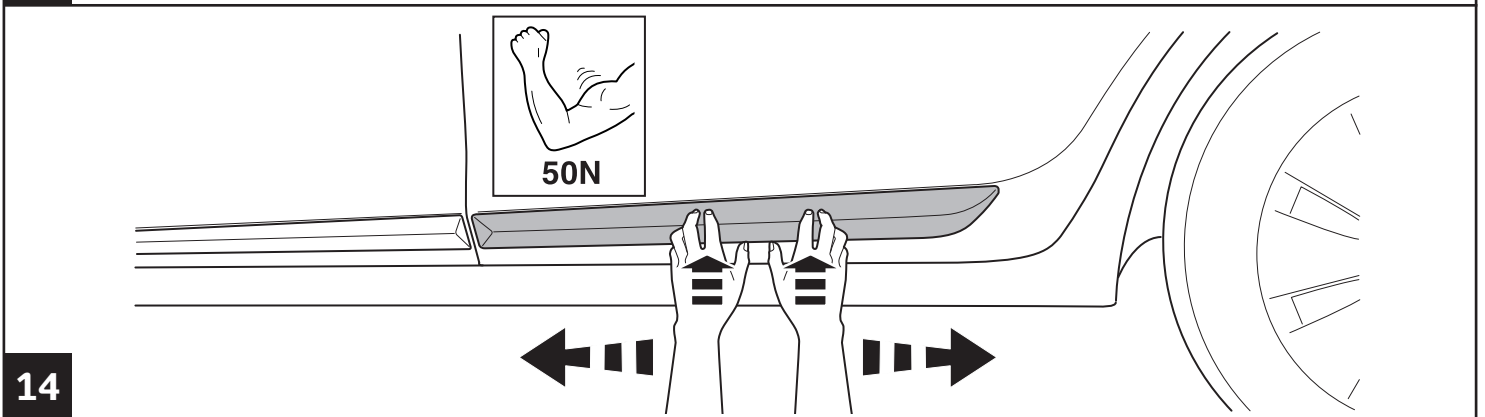
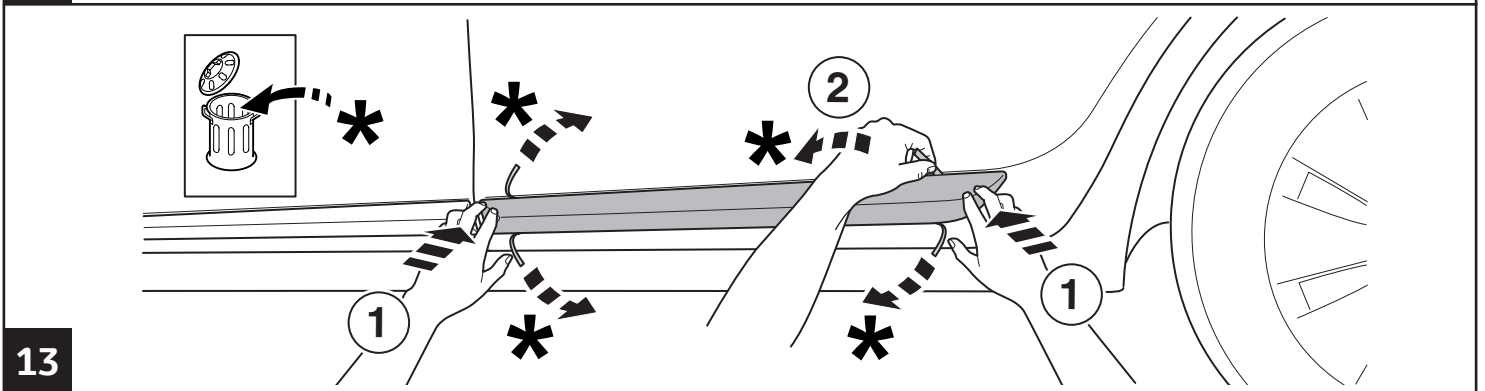
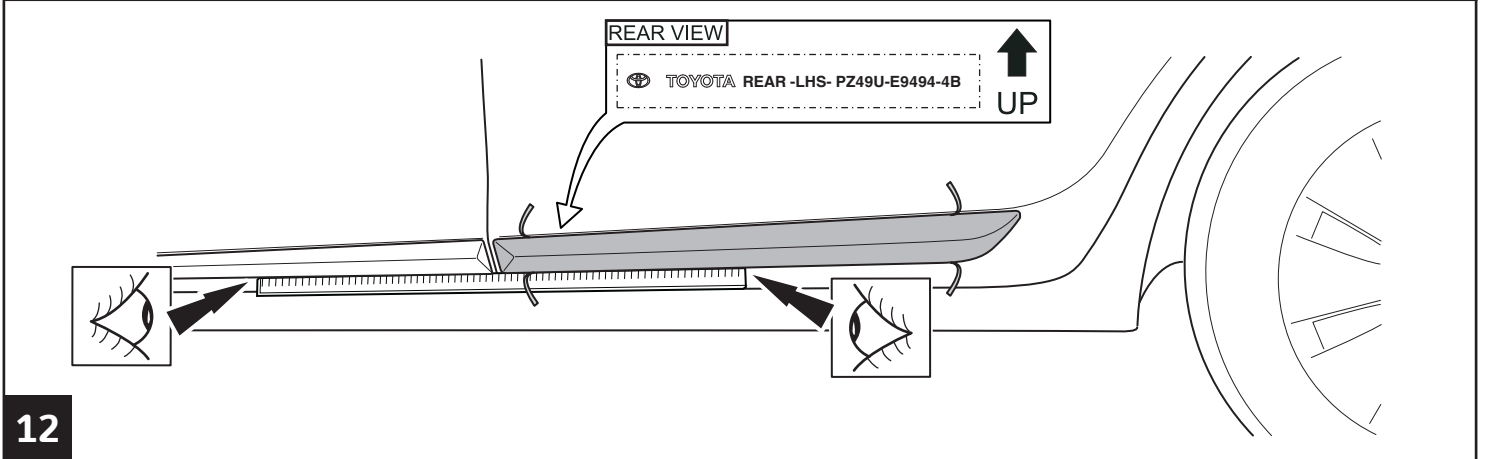
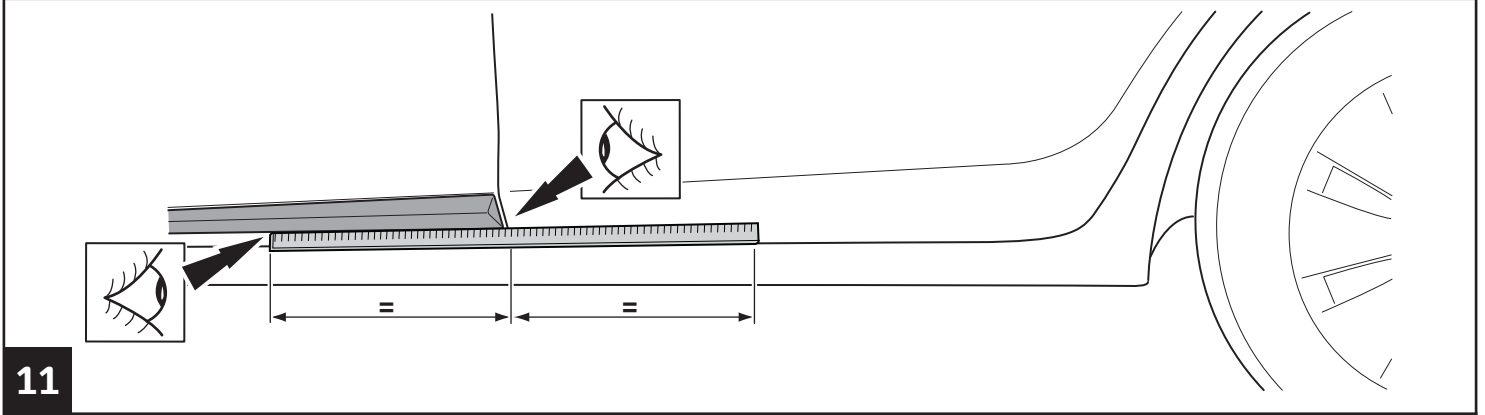
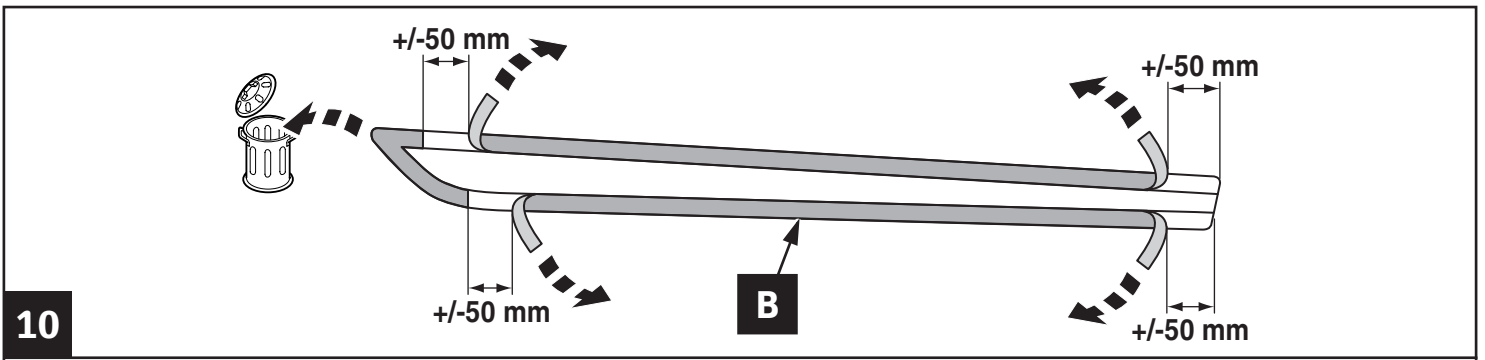
4

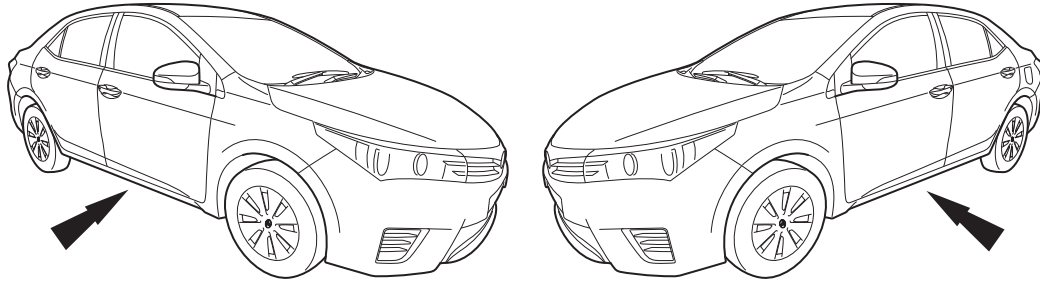
5

MIN 5 min.
MAX 20 min.

4



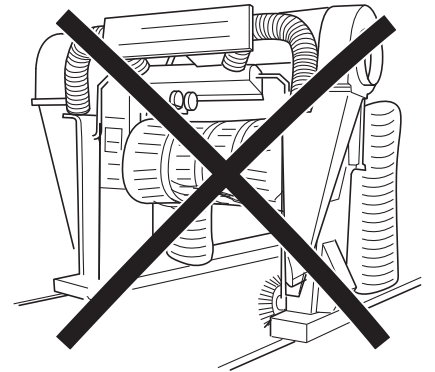
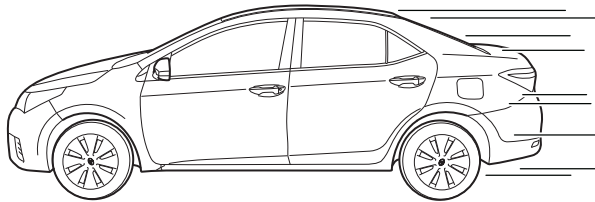
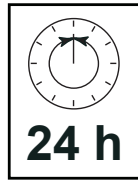
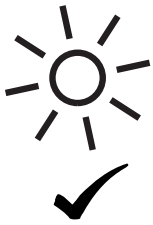




RHS = LHS

C D A B

15



16

CHECK SHEET



TOYOTA

Model / Year **Corolla 2013/06** Side Sills

VIN n°

ALWAYS A BETTER WAY

P/N = OK

CLEANER

= OK

Installation Date:
 . . / . . /

Technician Name & Signature:

Stamp:

