



TOYOTA

ALWAYS A
BETTER WAY

Land Cruiser

Rear lower trunk garnish

Installation Instructions

Model year: 2009/09, 2013/08

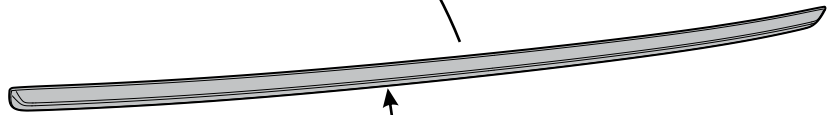
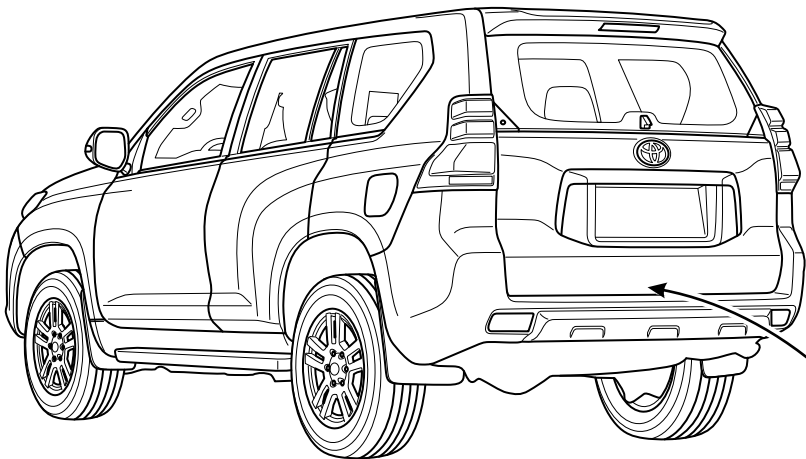
Vehicle code: **J15*L-G****W

Part number: PZ415-J0490-ZB

Manual reference number: AIM 001 798-1

Revision record

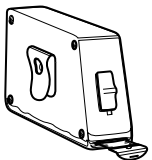
Rev. No.	Date	Page	Picture	Update	New	Deleted steps
1	17/07/2013	1		model year		
		3	1		x	
		3, 5	2, 10, 12	x		11, 12, 13, 14
		6	Check Sheet		x	



PZ415-J0490-ZB

A

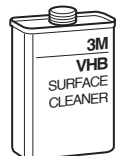
1x



TESA 4651
3M 3960



Spiess Hecker Sontora





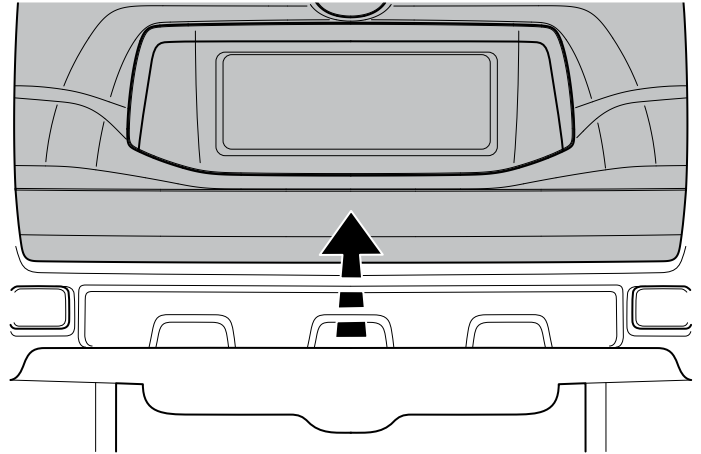
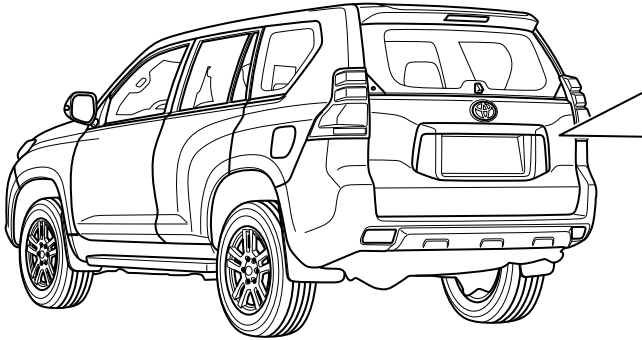
1

40°C

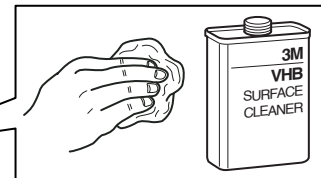
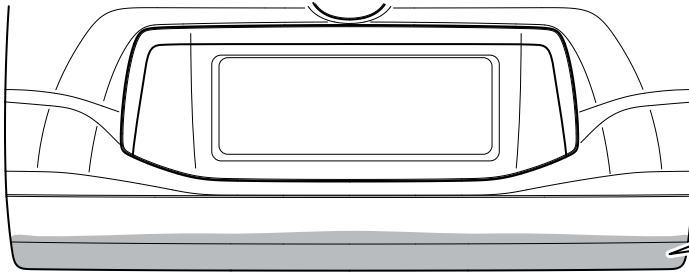
18°C



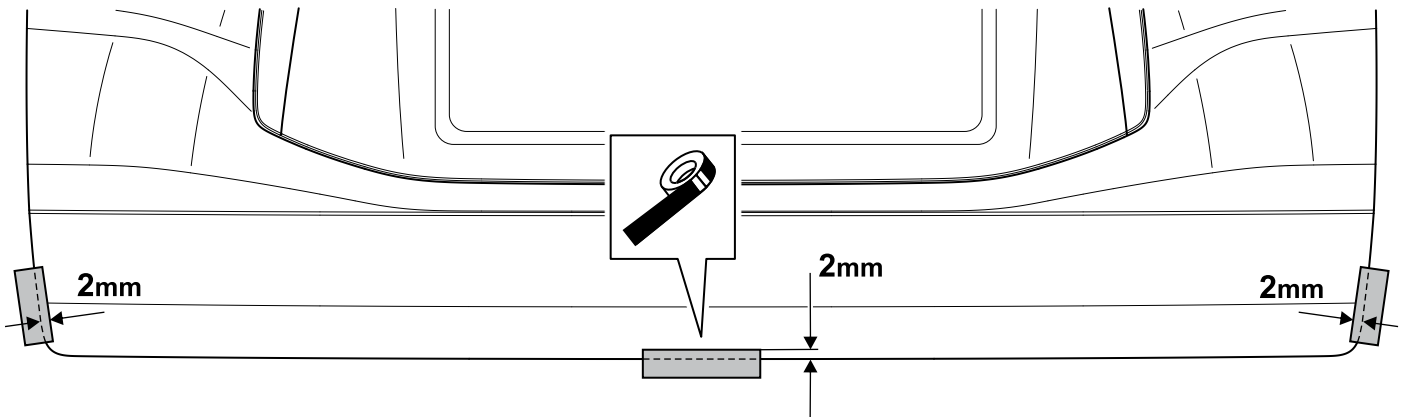
2



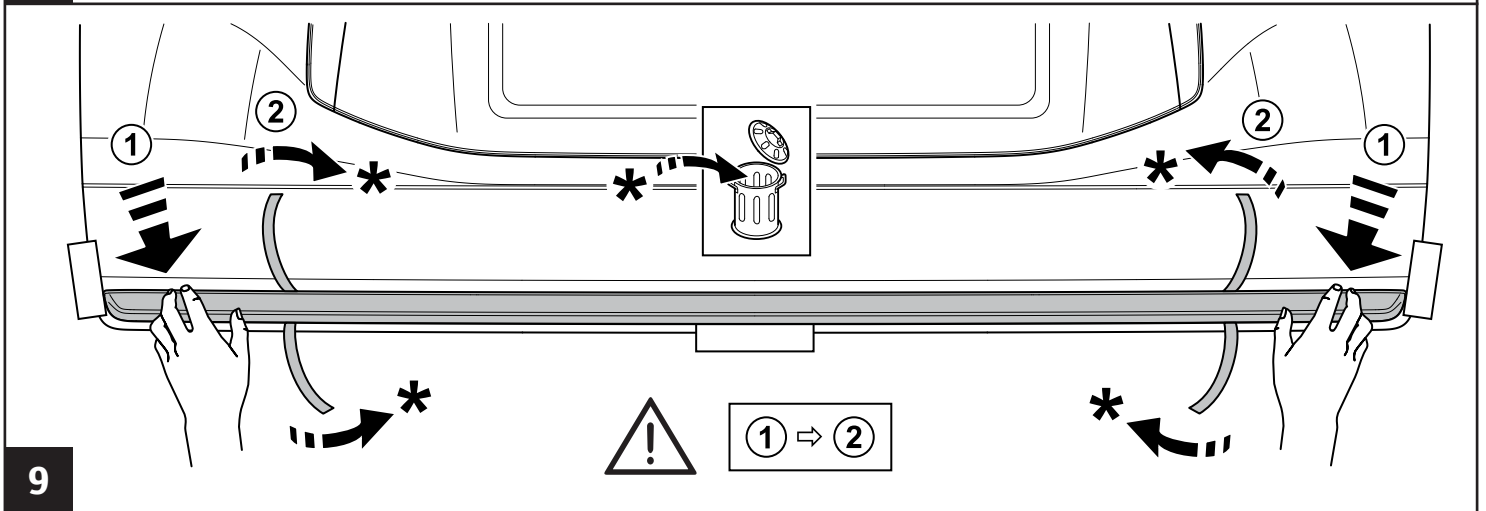
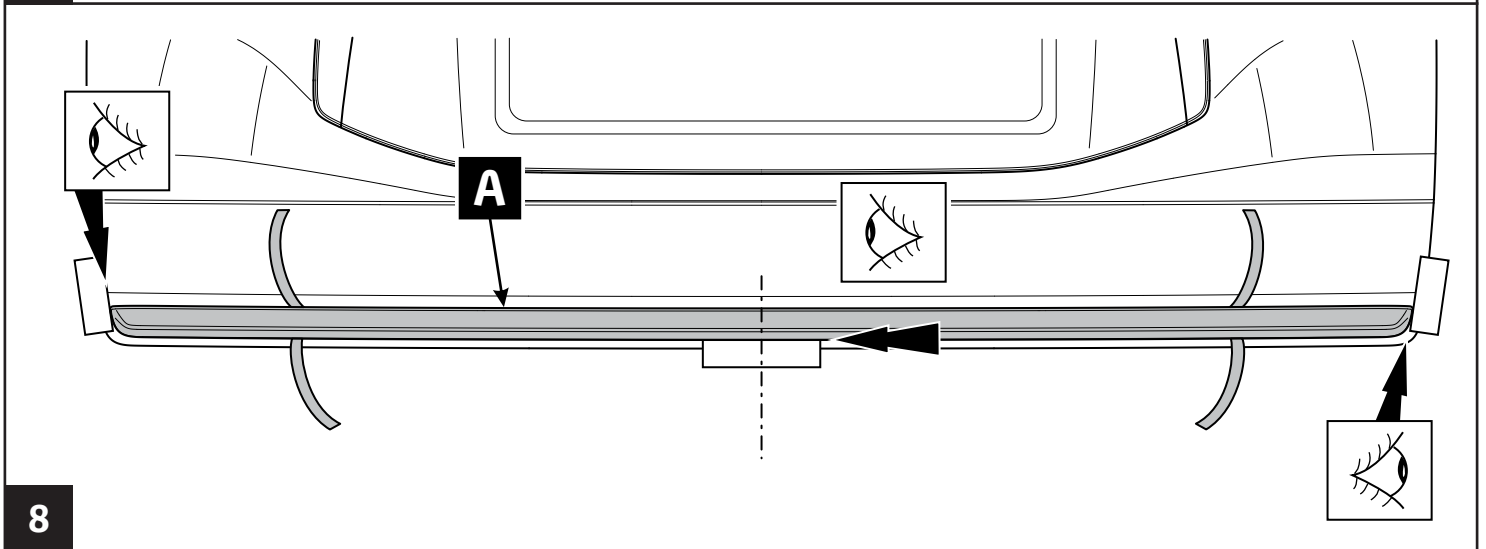
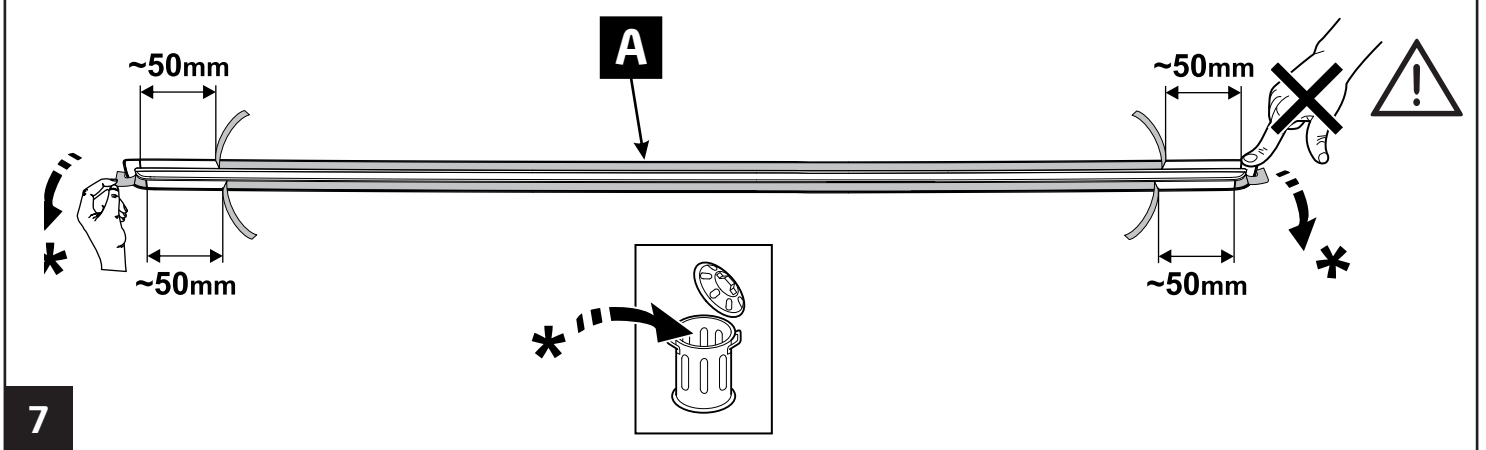
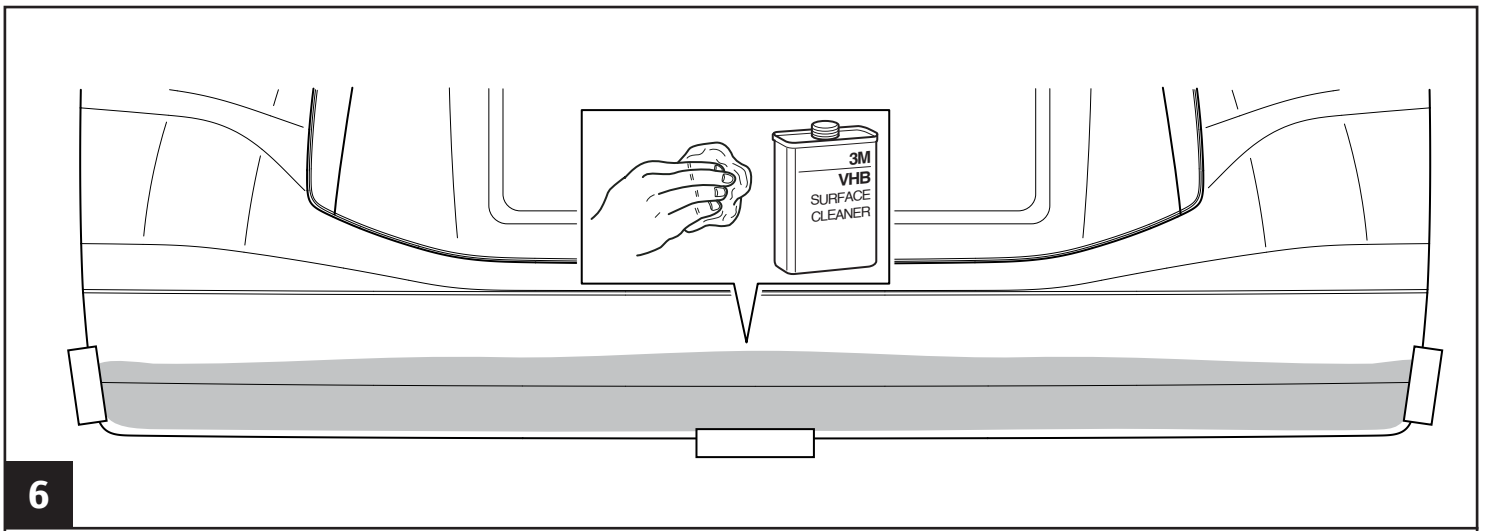
3

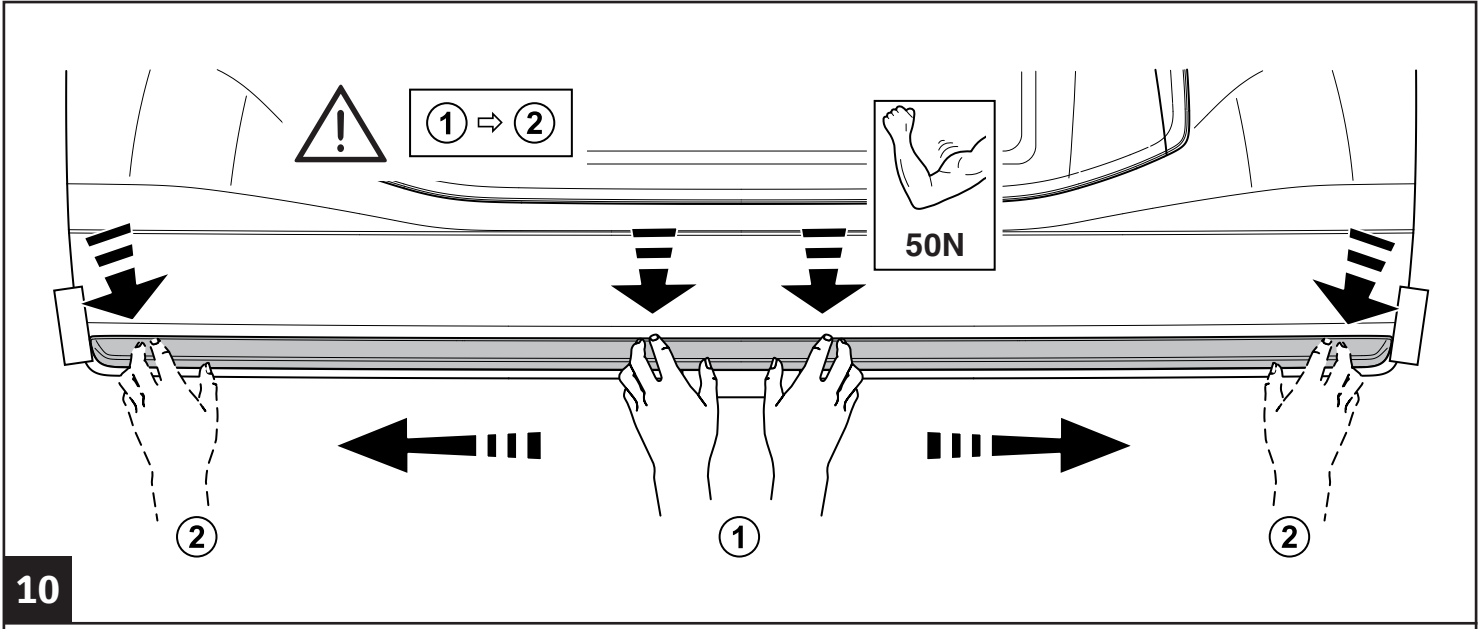


4

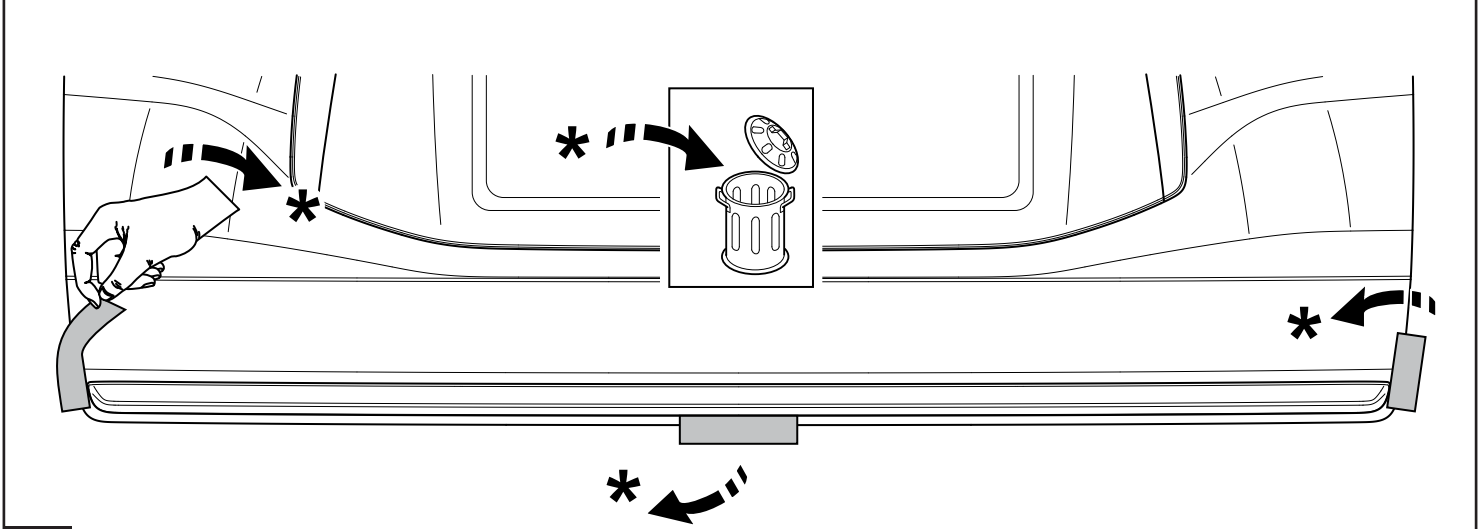


5

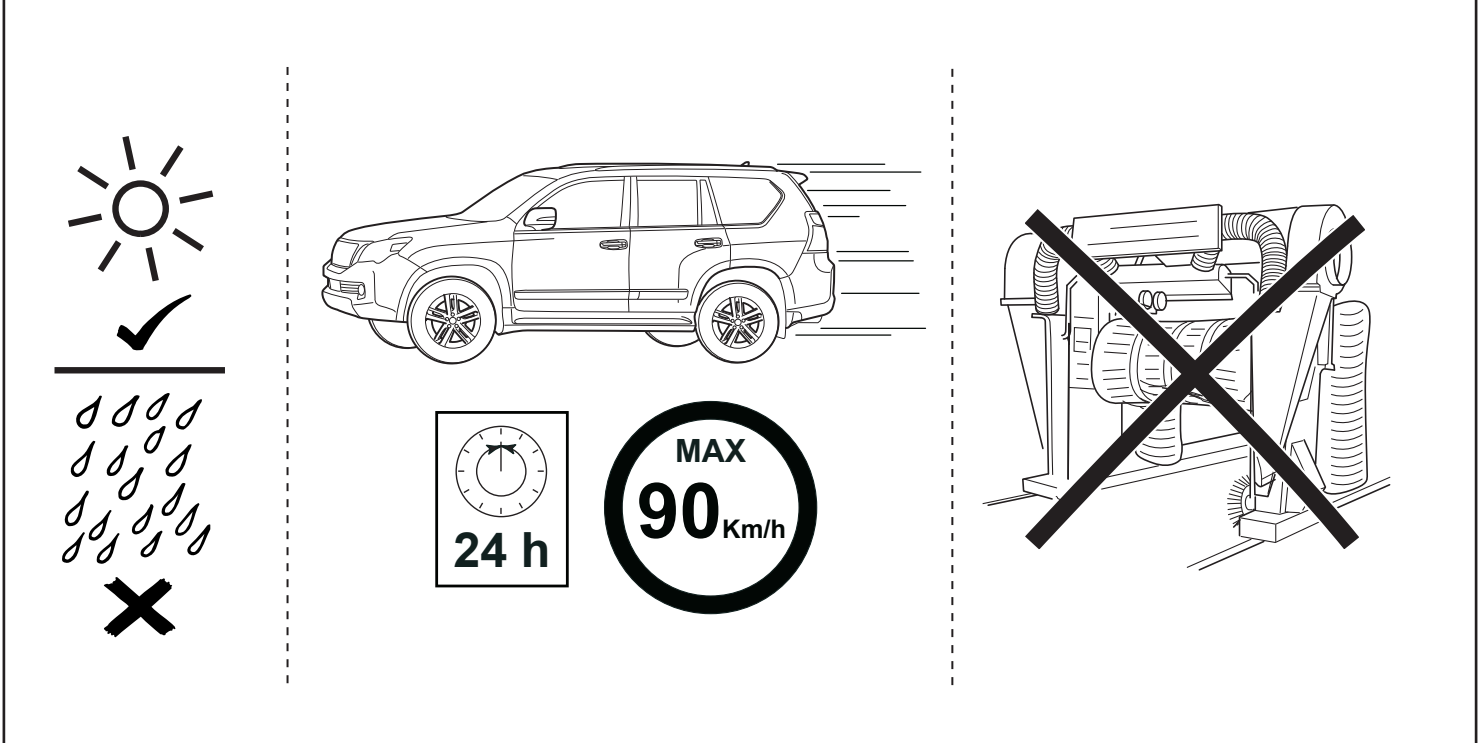




10



11



12

CHECK SHEET



TOYOTA

Model / Year **Land Cruiser** Rear lower trunk garnish
 2009/09, 2013/08

ALWAYS A BETTER WAY

VIN n°

P/N = OK

CLEANER

= OK

Installation Date:

... / ... / ...

Technician Name & Signature:

Stamp: