



TOYOTA

ALWAYS A
BETTER WAY

Land Cruiser

Sunroof wind deflector

Installation Instructions

Model year: 2009/09, 2013/08

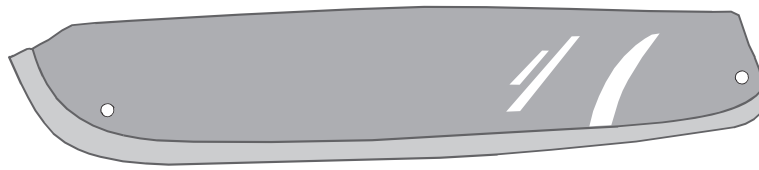
Vehicle code: **J15**-G**E*W

Part number: PZ451-JOB10-ZA

Manual reference number: AIM 001 621-1

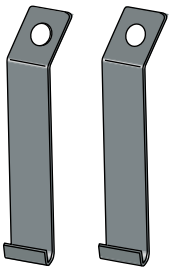
Revision record

Rev. No.	Date	Page	Picture	Update	New	Deleted steps
1	18/07/2013	3	1		x	
			2	x		
		6	Check Sheet		x	



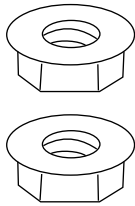
A

1x



B

1x



C

1x



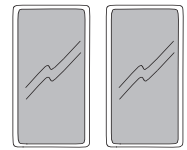
D

1x



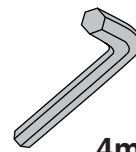
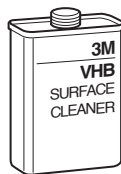
E

1x

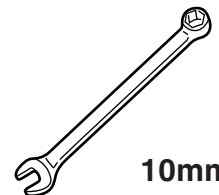


F

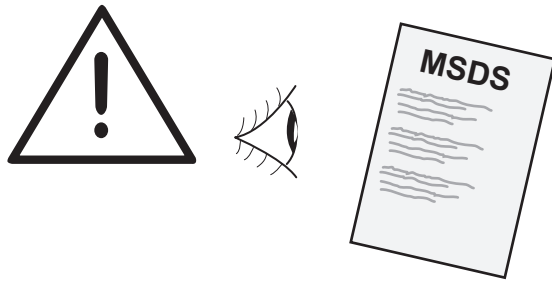
1x



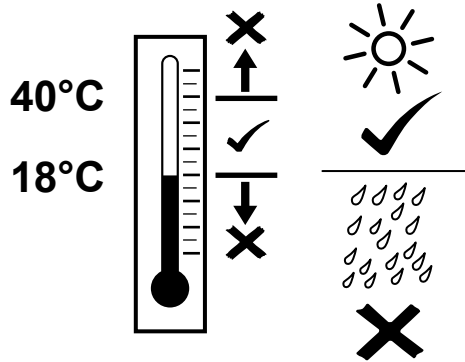
4mm



10mm



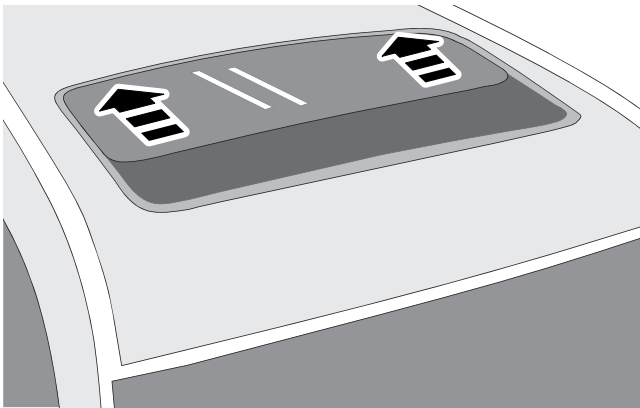
1



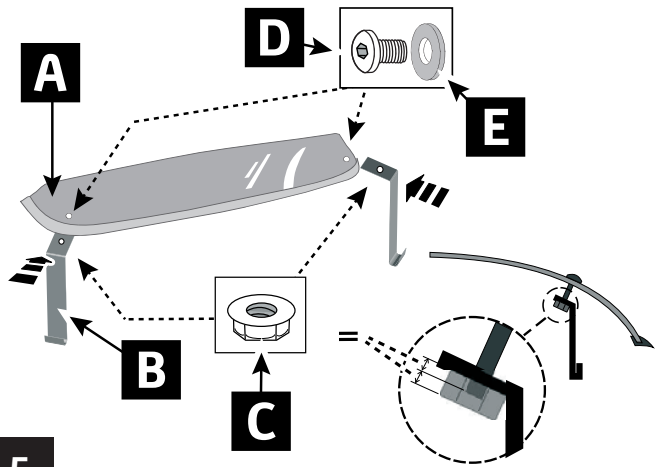
2



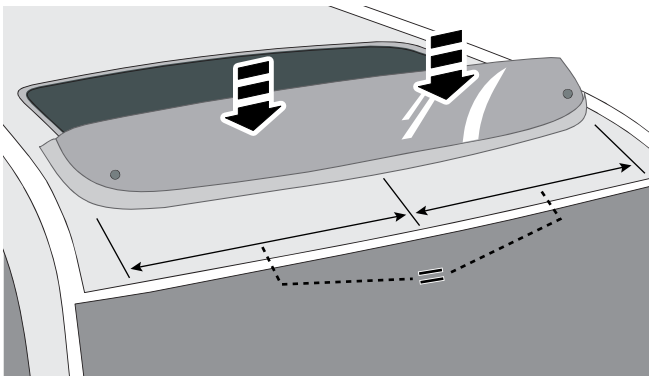
3



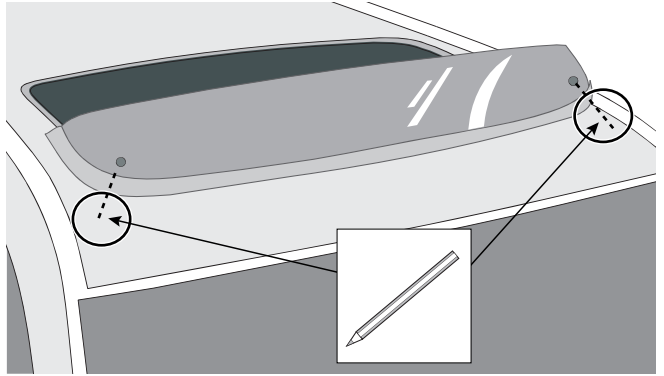
4



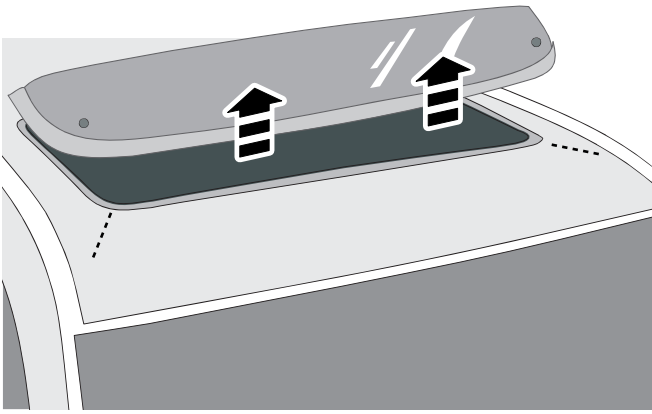
5



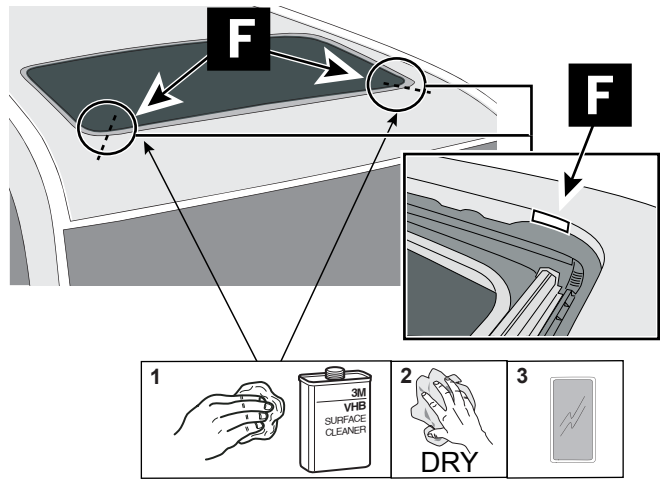
6



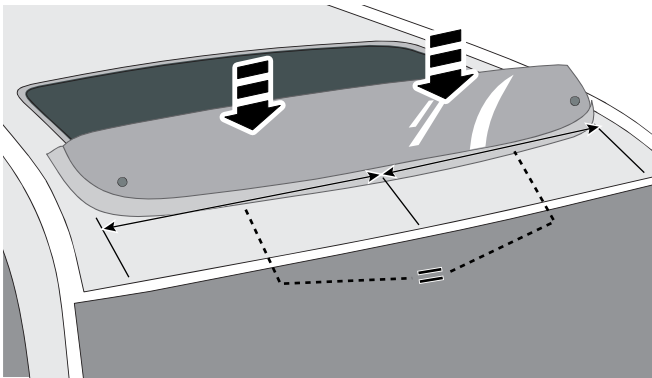
7



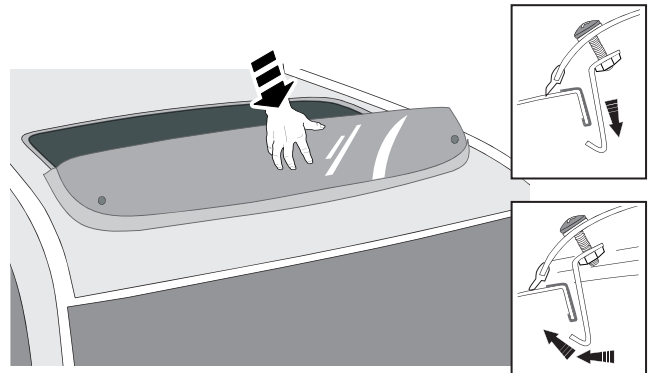
8



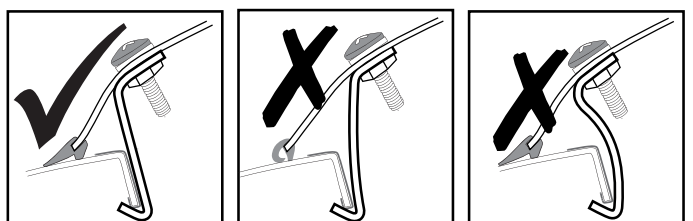
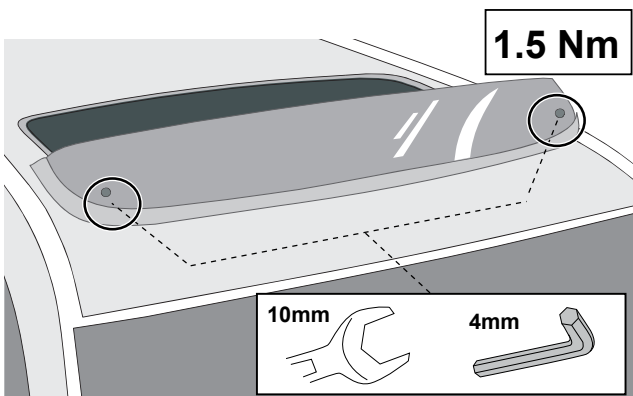
9



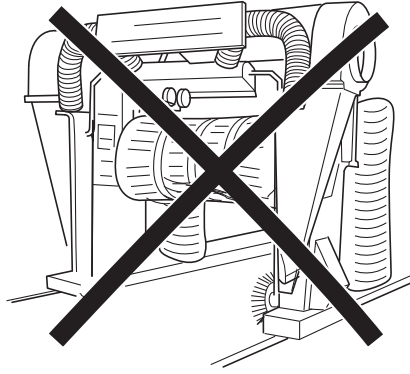
10



11



12



13

CHECK SHEET




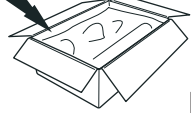
TOYOTA


Model / Year **Land Cruiser** Sunroof wind deflector
2009/09, 2013/08


ALWAYS A
BETTER WAY

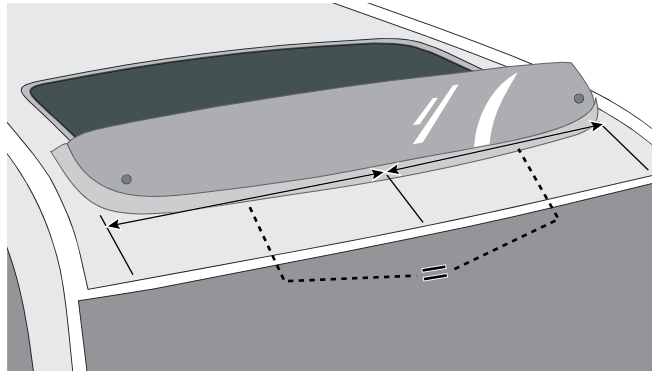
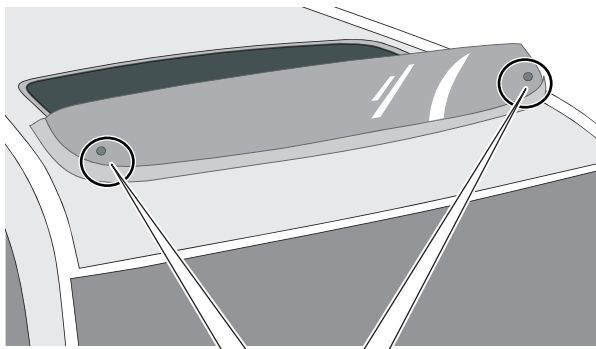
VIN n°

 **P/N = OK**




40°C 

18°C 

2 x 1.5 Nm



Serial Number

Installation Date:

.. / .. / ..

Technician Name & Signature:

Stamp: